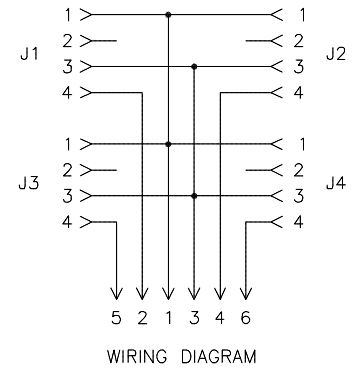
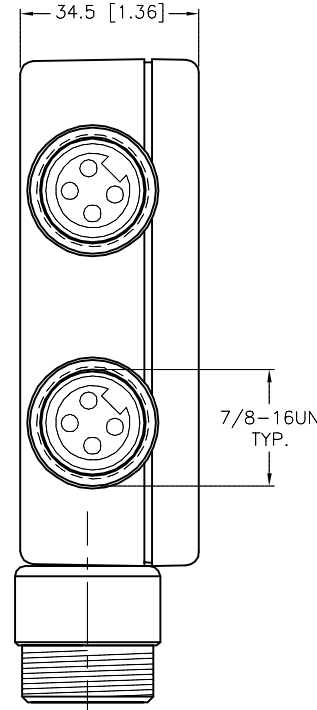
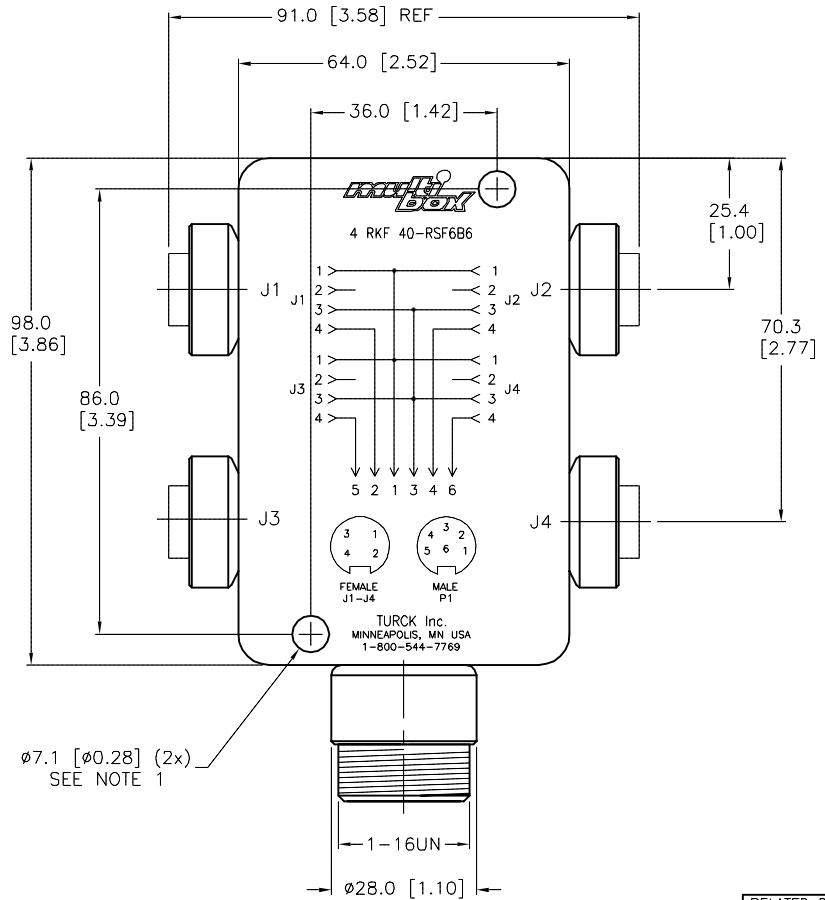


SPECIFICATIONS	
MATERIAL	
HOUSING/COLOR	DIE-CAST ALUMINUM/ POWDER COAT BLACK
RECEPTACLE	BRASS/NICKEL
CONTACT CARRIERS/COLOR	TPU/BLK (J1-J4), YEL (P1)
CONTACTS	BRASS/GOLD
ELECTRICAL DATA	
OPERATING VOLTAGE [V]	300 V
OPERATING CURRENT [A]	8.0 AMPS PER PORT, 8 AMPS TOTAL
MECHANICAL DATA	
PROTECTION CLASS to DIN 40050	IP 67 - ONLY WHEN ALL RECEPTACLES ARE COVERED WITH PLUGS OR CONNECTED
OPERATING TEMPERATURE	-30°C to +80°C (-25°F to +176°F)



NOTES:
 1. CLEARANCE HOLE FOR 1/4-20 MOUNTING SCREWS (NOT INCLUDED).

SOURCE DRAWING - FOR REFERENCE ONLY

RELATED DOCUMENTS 1. 2. 3. 4.	3RD ANGLE PROJECTION	THIS DRAWING IS CONFIDENTIAL AND THE PROPERTY OF TURCK INC. USE OF THIS DOCUMENT WITHOUT WRITTEN PERMISSION IS PROHIBITED.	3000 CAMPUS DRIVE MINNEAPOLIS, MN 55441 1-800-544-7769 (763) 553-7300 (763) 553-0708 fax www.turck.us	
			DRFT RWC	DATE 09/12/05
MATERIAL SEE SPECIFICATIONS	ALL DIMENSIONS DISPLAYED ON THIS DRAWING ARE FOR REFERENCE ONLY	APVD	SCALE 1=1.5	IDENTIFICATION NO. U0949-26
FINISH SEE SPECIFICATIONS		UNIT OF MEASUREMENT MILLIMETER [INCH]		
		DO NOT SCALE THIS DRAWING		FILE: U0949-26
B	DRAWING PROCESSED AS PART OF ECO 33971	CBM	04/07/11	33971
REV	DESCRIPTION	BY	DATE	ECO NO.